

Mega Pixels CMOS HD Box IP Camera ZNB-4000 Series

Specifications

This specification applies to ZNB-4000/(-W)/(-POE) Series

1.Basic Description

ZNB-4000 series based on IP network,achieve network digital surveillance,transmit clear, smooth video surveillance images.

ZNB-4000 series use Mega Pixels 1/3"Progressive Scan CMOS and advanced H.264 codec,Maximum digital images resolution:1600*1200. Supports dual streaming, Transmit high-quality H.264 video in the



low-bandwidth network environment smooth , also supports MJPEG compression;Support DC drive auto iris lens;Support audio, alarm function, provide third-party systems integration interface.

The series are suitable for public security, banking, ports, schools, buildings, residential zone and other places, Have excellent image reproduction capability in the low illumination environment,It is a good choice for digital HD video network surveillance.

3.Expand Type

Basic: ZNB-4000

POE: ZNB-4000 P

WIFI: ZNB-4000 W

4.Key Features

- ◆ Max resolution:1600×1200
- ◆ 1/3"Progressive Scan CMOS sensor

- ◆ H.264/MJPEG is optional, dual streaming,high compression ratio,and high quality.
- ◆ Auto iris, auto electronic shutter
- ◆ High signal-to-noise ratio,Clear image
- ◆ Built-in MIC,two-way talking
- ◆ 1 channel CVBS video output
- ◆ Support SDHC storage; SD2.0 standard,maximum storage 32G
- ◆ Power supply:DC12V/POE (Optional)
- ◆ Support 4 area privacy mask
- ◆ Support motion detection, network fault detection and alarm video, image snapping
- ◆ Built-in Web server enables the use of a standard Web browser for viewing and management.
- ◆ Support ONVIF protocol

5.Applications Scenarios

Applicable for Finance, telecommunications, government, schools, airports, factories, hotels, museums, transportation etc.

6.Technical parameters

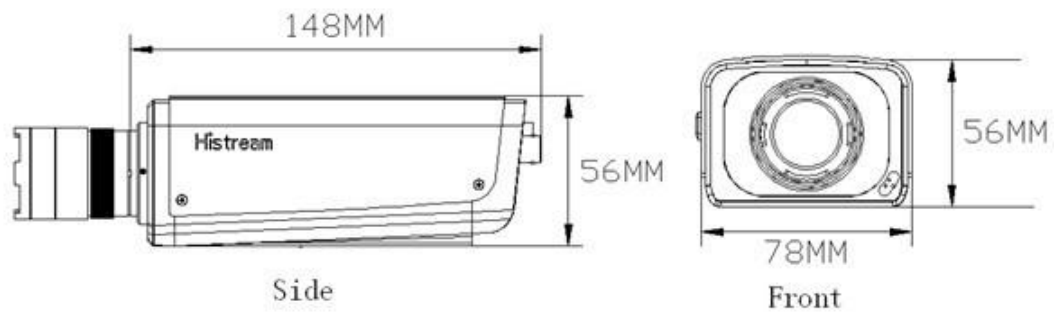
NO.	Model	ZNB-4000/(-W)/(-POE)	
1	Hardware		
2	Network chip	Lan	Realtek 10/100M BASE-TX Self-adapting
3	Sensor		1/3" Progressive Scan CMOS
4	Effective Pixels		1600(H)×1200(V)
5	Total pixels		2.0M
6	Min.Illumination		Color Mode:0.5Lux@F1.2
7	S/N		≥50db(AGC OFF)
8	Auto Electronic Shutter		Auto
9	Interfaces		

10	CVBS video output		1 channel ,BNC connector
11	Optical lens	Interfaces	CS/C(Mount adapter)
12		Lens	Auto Iris(DC drive)
13		Focal Length	Optional
14	Audio Talkback		1 channel MIC input, 3.5 mm connector
15	Audio Output		1 channel output, 3.5 mm connector
16	Storage Interface		SDHC card supports video storage and image snapping; SD2.0 standard,maximum storage 32G
17	Network Interface	Lan	10/100M BASE-TX,RJ-45 connector
18	I/O		1-channel input, Normally Open/Normally Close modes adjustable; 1-channel output, 120VAC 1A/24VDC 1A,1 RS485 interface
19	Audio video encoding		
20	Video Compression		H.264 Main Profile; MJPEG/JPEG Baseline
21	Resolution	Master Streaming	1600*1200,1-15fps/sec 1280*960,1-25fps/sec 1280*720,1-25(30)fps/sec
22		Second Streaming	640*480,1-25fps/sec 320*240,1-25fps/sec 160*112,1-25fps/sec
23	Video Bitrate		32Kbps~16Mbps,Supports CBR/VBR
24	Title OSD		Supports channel name, date, and video stream information overlay;OSD location is adjustable
25	Audio Compression		G.711, G.726,support 32 K stereo
26	Data transmission and storage		
27	Data storage		Video and Image
28	Recording		Recording set up to record by motion trigger,alarm trigger, manual, or schedule
29	Alarm Output		FTP,E-mail, Explorer, Software
30	Network protocol		TCP/IP,UDP,RTP,RTSP,RTCP,HTTP,DNS,DDNS,DHCP,FTP,NTP,PPPOE,SMTP,UPNP
31	Wireless protocols(-W)		802.11b/g/n,Supports WEP,WPA,WPA2("-w" model supports)
32	ONVIF protocol		Support
33	Remote View	Computer	IE 6.0 or up, max 10user
34		Mobile Phone	Windows Mobile,Symbian,iPhone
35	General Parameters		
36	Operating Temperature		-10℃ - +55℃
37	Operating Humidity		0% - 90%
38	Power		DC12V/POE(IEEE 802.3af)(Optional)

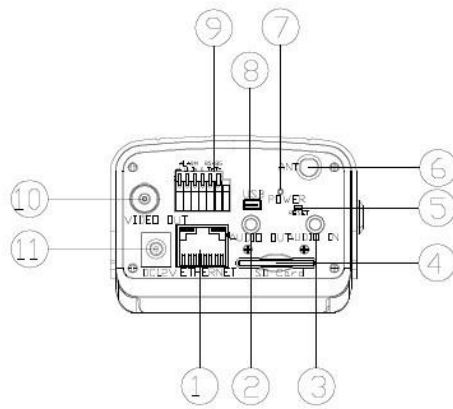
39	Power Consumption	5W(MAX)
40	Dimension	148(L) * 78(W) *56(H)mm(Lens not included)
41	Weight	0.56Kg

7.Dimension Drawing

Dimension Drawing:



Interface:



- ① RJ45
- ② AUDIO OUT
- ③ AUDIO IN
- ④ SDHC CARD SLOT
- ⑤ RESET
- ⑥ ANT
- ⑦ POWER
- ⑧ USB
- ⑨ ALARM IN/OUT
- ⑩ VIDEO OUT
- ⑪ DC12V